



PROVIDA CERAMIC

For a comfortable life



Household recessed-wall heater

Operation manual Warranty certificate



PROVIDA VARME



Model

PV CERA Plus 500 (P)

PV CERA Plus 550 (P)

PV CERA Plus 750 (P)

PV CERA Plus 1000 (P)



TECHNICAL CHARACTERISTICS

Model	Parameter									
	Voltage [V]	Power [W]	Current frequency [Hz]	Dimensions [mm]			Heating area [m ²]	Heating volume [m ³]	Surface temperature [C°]	Gross weight [kg]
				Length	Height	Thickness				
PV CERA Plus 500 (P)	220-230	500	50-60	600	600	17	10	25	80	14,5
PV CERA Plus 550 (P)		550		900	450	17	11	28	80	16,5
PV CERA Plus 750 (P)		750		900	600	18	15	38	80	24,5
PV CERA Plus 1000 (P)		1000		1200	600	18	20	50	80	27,5

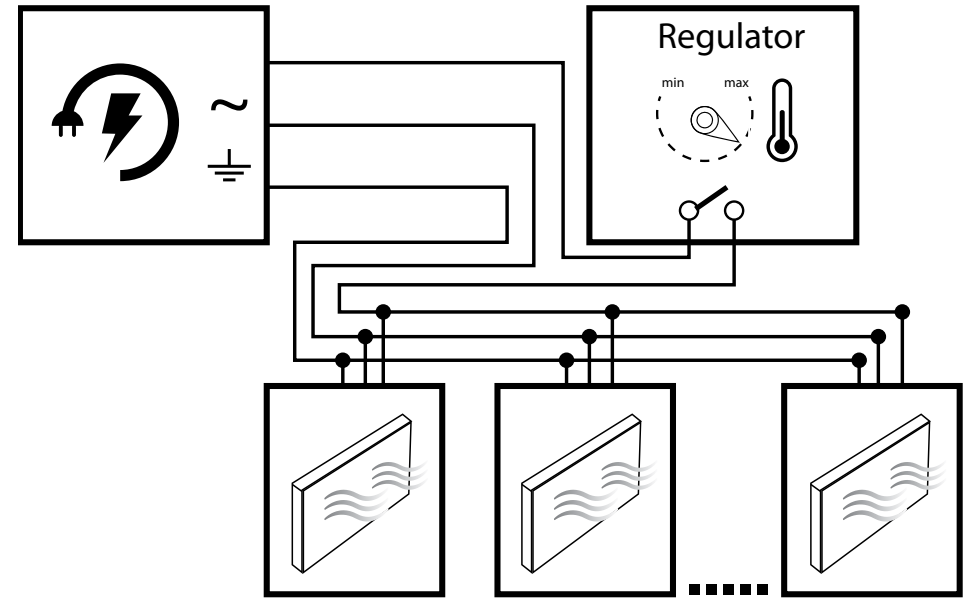


The models (TCM-RA xxx) are equipped with an automatic room temperature controller.
 Models (TCM-RA xxxP) are equipped with a program 7 days/24hour automatic room temperature control

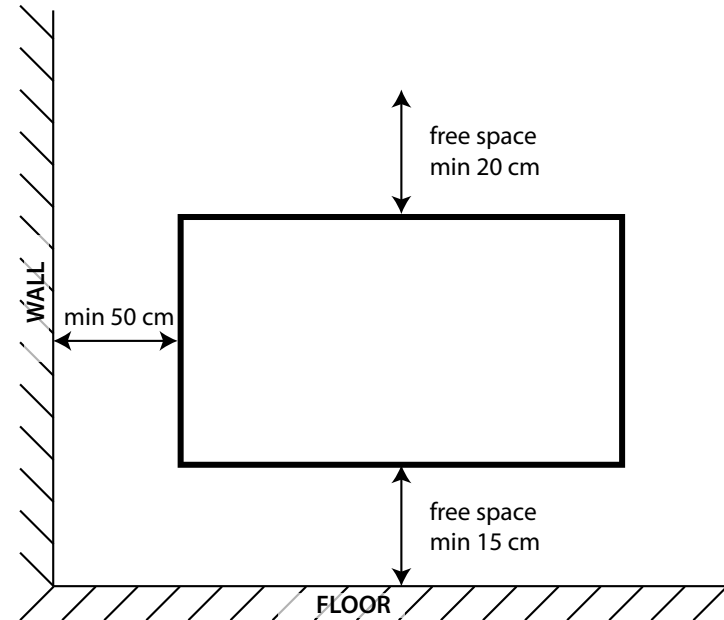


Set	
Packaging, pc.	1
Heater, pc.	1
Cable with plug, pcs.	1
Metal fastenings, kit	1
Dowel with screw, set	1
Installation scheme, pc.	1
User manual (passport-guarantee), pc.	1

In the case of mounting the heaters with the thermostat use the following scheme



Heater installation



ENGLISH

Safety information



Do not cover the heater with any objects. Do not dry things.



DANGER: Do not cover the heater in order to prevent overheating.



ATTENTION! For your own safety, before using the heater carefully read the instruction and always keep it in an accessible location.

Use the heater only with the current which is stated in the technical data. During operation, the heater is warmed, to prevent burns, do not touch the hot surface.

Do not immerse the heater into the liquid, it can lead to electrical shock. Do not reach for the device in case of falling into the liquid, immediately pull the plug out of the socket.

Do not use the heater near the bath, shower, swimming pool and other containers with liquid.

Do not use a heater with a damaged cord, plug or with the presence of other injuries. In case of malfunction contact a qualified service center.

Use the heater only for its intended purpose according to the present instruction for. Any other use is prohibited and may result in fire, electric shock or injury.

Heater installation



**Do not place the heater directly under the outlets.
ATTENTION! Do not place the heater on the ceiling!**

Do not connect the heater to the power supply until installation is complete.

The heater must be installed on the vertical surface at the height of not less than 0.2 meters above floor level. On top of the heater is necessary to provide the free space of 0.2 m for the free exit of warm air.

It is not allowed to place furniture, household radio, TV - and computer equipment closer than 500 mm from the heater, in order to prevent obstacles for the free air circulation.

Electric power socket and connector must be mounted at the height ensuring the inaccessibility of children.

Drill holes in the wall with the diameter of 8 mm according to the installation scheme for the particular model. Insert to the holes special plastic plugs that are supplied with the set. Having mounted the plugs, tighten with screws metal fastenings and screw L-shaped screws.

Install the heater, which grooves should coincide with the fastening.

Models which have square shape can be mounted both horizontally and vertically, according to the installation scheme.

Connection scheme



Remember! If the device isn't used for a long time, it's necessary to turn it off and pull the plug.

The heater can be connected by the supply wire and plug into the electrical outlet.

During the usage of heaters for indirect heating of the building manufacturer recommends the use of connection by remote thermostat, which provides automatic support of the necessary temperature and significant saving in electricity consumption. The thermostat should be selected according to the number of certain models of the heaters and certain specific technical data, so for the correct choice of the thermostat, refer to the specialist company.

Heater exploitation

The device can be used by children of 8 years and older and by persons with reduced physical, sensory or mental abilities or lack of experience or knowledge if they are under control of person responsible for their safety or have been instructed concerning the safe use of the device and understand the possible danger. Children should not play with the device. The device shouldn't be cleaned or serviced by children unattended. Children under 3 years should not be allowed to the heater, unless they are supervised by an adult. Children from 3 to 8 years have the opportunity to turn on / off the heater if it has been properly installed and children are under supervision or have been instructed on the safe use of the heater and understand the possible dangers. Such children should not use the plug, heater control devices and clean the heater, or carry out maintenance.



**DANGER: Do not use in case of damage of the front surface!
DANGER: Models, which aren't supplied with the automatic room temperature control device are forbidden for the usage in small rooms, if they're employed with people who are unable to leave the premises, and if the constant care of them is not possible.**



ATTENTION! Some parts of the heater may be hot and cause burns. Particular attention should be given during the presence of children and vulnerable people.

Cleaning and Maintenance

The heater does not require special care. It should be cleaned regularly, dust the surface, since the dust has a negative impact on the performance of the device. Wet cleaning is allowed when the heater is turned off.



ATTENTION! Turn off the heater before cleaning. Cleaning the heater using steam or pneumatic purifiers for safety reasons is not permitted.

Turn off the device and let it cool before each cleaning. Use for cleaning household cleaners without abrasive materials for glass ceramic or stainless steel.

Clean the device using the wet cloth with a small amount of detergent.

Finally, dry the device with a clean cloth.

Utilization

In the case of the lifetime end the heater requires utilization in accordance with norms, rules and means in the territory of the location. Do not throw away the heater together with the rest household garbage.

Warranty obligations

The manufacturer guarantees heaters compliance with the requirements during the observance of the terms of transportation, storage, installation and operation.

Carefully check the appearance of the device and its packaging. In the case of mechanical damages of the heater, which could occur due to the fall / strokes or absence of a serial number of the heater manufacturer has the right to refuse in warranty service to the Buyer.

Manufacturer provides warranty: 5 years for heating element on 2 years for built-in digital thermostat. During the absence of the stamp and the date of purchase the warranty period of the heater is calculated from the date of manufacture.

The service life is 30 years. Shelf life is unlimited if stored in a dry ventilated room with a relative humidity of 60% and no more than 20 stacking units in height.

During violation the rules of storage, installation, exploitation and this instruction customer claims are not accepted.

Warranty service of the purchased heater is carried out through the Seller, or authorized service facilities if available in the particular area..



WARRANTY

Buyer

Model

Serial number

Sales date (installation)

Seller

WWW.PROVIDAVARME.NO



Narverødveien 40, 3113 Tønsberg
Tlf: 92 49 40 78

E-post: info@providavarme.no
Web: www.providavarme.no
Nettbutikk: www.providavarmeshop.no