



Sundirect Infrared Panel Heaters

Installation & Operation Instructions

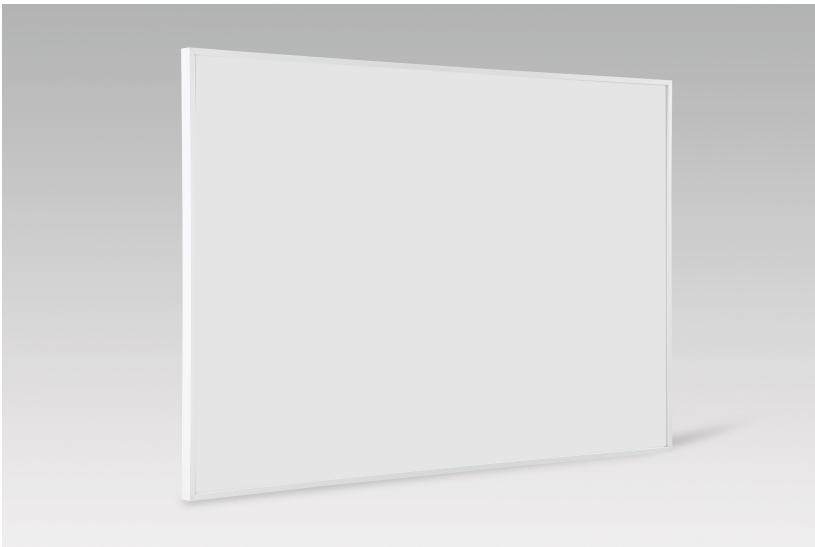


Table of Contents

Notice to Purchaser	3
Safety Instructions	4
• Product related safety warnings	4
• Dangers for children and persons with limited abilities	4
• Electric safety directions	5
How to care your Sundirect heater	6
• Cleaning	6
• Operation	6
• Repair	6
• Disposal	6
Technical Data	7
Installation Guide	8
• Mounting instructions for PE/GD-F/MD-F series	8
• Mounting instructions for IC/GD/MD/RC series	9
• Electric power connection	10
Warranty	11

Notice to Purchaser

Thanks for purchasing this Sundirect infrared heating panel. We hope you enjoy this innovative technology and that this product will bring a pleasant atmosphere to your home.

Please read these instructions carefully and keep safe for future use. Failure to comply with these instructions will void your warranty. Do not disassemble or tamper with the product at any time! Please pay special attention to the safety instructions and use the heater according to these instructions. Sundirect Technology Ltd. shall not be liable from any damage or loss occurred resulting from failure to follow these instructions.

This product complies with European Safety Standards EN60335-2-30, RoHS and EMC EN 50336, EN 55014, EN 61000-3 and EN 62233. These cover the essential requirements of EEC Directives 2006/42/EC, 2011/65/EC and 2004/108/EC. The Product is SAA approved No: SAA-152290-EA.

Read the installation and operating instructions completely before starting any installation works and save the instructions for later use.



Safety instructions

Product related safety warnings

Sundirect infrared heaters operate at a surface temperature of around 95°C when wall mounted. Do not touch the heater when switched on. Prolonged contact may cause injuries or burns. Do not cover the heater with anything. Covering may cause overheating and can result in fire. The heater may not be used to dry textiles and no objects shall be placed or leaned against the heater. Keep a distance to any object (e.g. furniture) of at least 40cm in the front and 20cm on the sides to any object, wall or ceiling. Failure to do so will cause heat to build up behind the heater and will void your warranty. If mounting the heater on the ceiling keep a minimum distance from the ceiling of 2cm to ensure airflow avoiding overheating of the heater. If integrating the heater into a ceiling grid make sure not to place any insulation material directly onto the rear of the panel to avoid overheating.

Dangers for children and persons with limited abilities

Children or persons with limited physical, mental or sensory abilities shall not be operating, switching on, plugging in, regulating or cleaning the heater. Small children should be kept away from the unit unless constantly supervised. Do not operate the heater in small rooms when occupied by people not capable of leaving the room by themselves. The surface of the heater can reach a surface temperature of up to 95°C, keep out of reach of children and disabled persons. Keep away babies and children from all packaging material such as plastic bags to avoid danger of suffocation.

Electric safety directions

When installing, repairing or servicing the heater it must be turned off and disconnected from power. Before installation please check if the heater is free of damages. If the heater or the power cord is damaged in any form do not use the heater and contact your Sundirect dealer for repair or replacement. Repairs, maintenance or any changes must be carried out by an authorised Sundirect dealer. Do not attempt to repair the heater by yourself, this will void your warranty. If the heater has been dropped do not operate it and contact your Sundirect dealer to make sure it is free of any damages. If the glass from the GD or MD series is damaged in any way please dismount the heater as soon as possible to avoid any injuries from possible impact of the falling glass. Sundirect heaters are designed to operate at 220-240V, 50Hz AC. If your supply mains do not comply with this, do not use the heater.

Sundirect infrared heaters are rated with a protection standard of minimum IP44. This enables them to be mounted in water splash zones above the sink or bathtub in your bathroom/kitchen. This heater is not suited for installation outdoors. Installations in humid rooms must be carried out by a qualified electrician/installer and must comply with the local electrical safety requirements. When installing the heater in humid rooms it must be secured in such way that there is no risk of the heater falling into any water container. Never pour water on the device or put it in a water container. The installer must make sure that switches and electrical controls cannot be touched by any person in a shower/bathtub/swimming pool etc.

Sundirect shall not be liable for any injuries or damages resulting from inadequate mounting or incorrect positioning close to water sources.

How to care for your Sundirect heater

Cleaning

Always unplug your heater and let it cool down completely before cleaning. Never dip into water and never splash water on it. Clean the heater with a soft damp cloth. For glass models such as the GD, MD and RC series use a soft cloth and glass cleaner. Never use a wet cloth and make sure to dry the heater when clean with a dry cloth. Do not use any abrasive materials, solvents or harsh cleaning sponges as this could cause scratches or other irreparable damage. Before operating the heater again it must be completely dry.

Operation

Unless using your infrared heater as portable heater we highly recommend using it in conjunction with a Sundirect thermostat or an equivalent. This will ensure the most energy efficient use of the heater and will save you energy cost. Please consult with your local Sundirect heater about this.

Please note that the heater may discolour with use. This is due to airborne pollution and is not a fault. If you wish to add a picture print to your heater please contact a Sundirect dealer. Do not cover your heater with a picture foil and do not paint or print the heater yourself. This might cause damage to the heating element and will void your warranty.

If you notice any noise, smells, visible changes or exceptionally high temperatures please discontinue use and contact an authorised Sundirect dealer.

Repair

Repairs must be carried out by authorised Sundirect dealers or by Sundirect directly. If you attempt to alter the product or to proceed with any repairs yourself it will void your warranty.

Disposal



Sundirect infrared heaters are electric appliances and therefore electric waste. At the end of its working life please dispose of the heater in accordance with local regulations concerning electric waste.

Technical Data:

Panels covered by these instructions are listed in the table below.

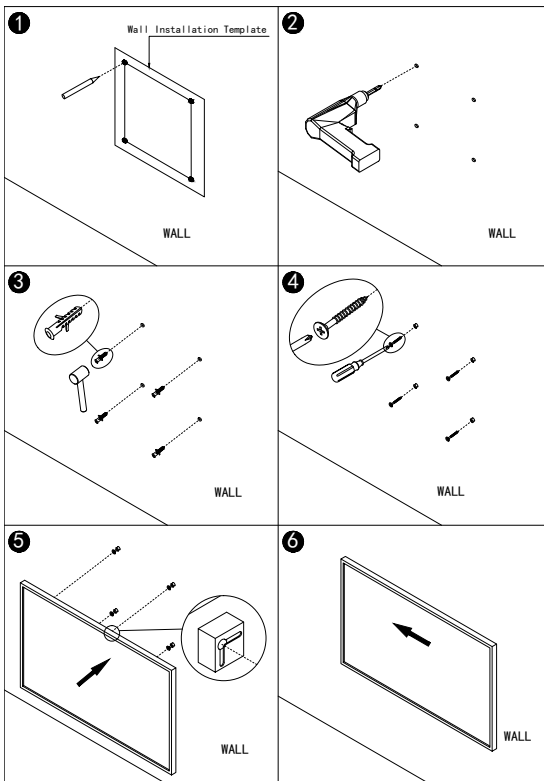
Model	Power	Size	Mounting
PE270	270W	30*90cm	Wall/Ceiling
PE350	350W	60*60cm	Wall/Ceiling
PE540	540W	60*90cm	Wall/Ceiling
PE700	700W	60*120cm	Wall/Ceiling
PE1000	1000W	80*115cm	Wall/Ceiling
IC150	150W	32*62cm	Wall/Ceiling
IC300	300W	60*60cm	Wall/Ceiling
IC600	600W	65*100cm	Wall/Ceiling
IC800	800W	70*125cm	Wall/Ceiling
GD350	350W	66*66cm	Wall only
GD500	500W	60*100cm	Wall only
GD700	700W	70*130cm	Wall only
GD350-F	350W	60*60cm	Wall/Ceiling
GD500-F	500W	60*90cm	Wall/Ceiling
GD700-F	700W	60*120cm	Wall/Ceiling
MD350	350W	66*66cm	Wall only
MD500	500W	60*100cm	Wall only
MD700	700W	70*130cm	Wall only
MD350-F	350W	60*60cm	Wall/Ceiling
MD500-F	500W	60*90cm	Wall/Ceiling
MD700-F	700W	60*120cm	Wall/Ceiling
RC500-W	500W	70*70cm, round	Wall/Ceiling
RC350-M	350W	70*70cm, round	Wall only

Installation Guide

Mounting installation for PE/GD-F/MD-F series

Note: The kit supplied in the package is designed for mounting on a solid wall. If mounted onto other types of walls, you will need appropriate fixings (not supplied). Please make sure the wall is safe to mount. We highly recommend to have the panel installed by a qualified electrician or installer authorised by Sundirect.

If you wish to mount the above panels on the ceiling, please contact your Sundirect dealer to purchase the right ceiling bracket. For PE270, you need the bracket BC005, and for the other models you will need BC004.



Step 1. Use the supplied template to mark the position of the holes on the wall.

Step 2. Drill holes using a 8mm drill.

Step 3. Insert the dowels into the holes.

Step 4. Screw in the supplied screws to the wall.

Step 5. Mount the panel on the screws.

Step 6. Move the panel to the right or left side until it's secured.

Mounting installation for IC/GD/MD/RC series

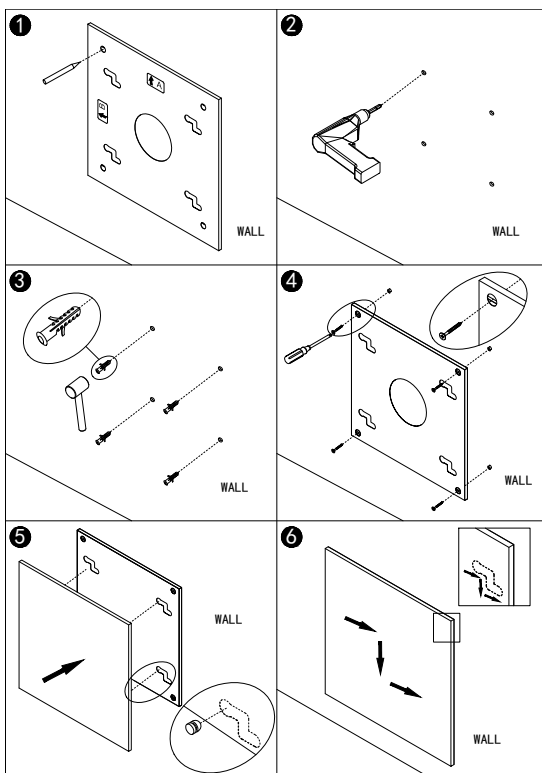
Note: The centre of the mounting bracket will be the centre point of the panel when mounted (note, the mounting fixings on the rear of the panel are offset, so measure from the centre of the panel to the edge of the panel to determine the mounting position).

For vertical mounting "A" will be the top of the mounting bracket.

For horizontal mounting "B" will be the top of the mounting bracket.

The kit supplied in the package is designed for the mounting on a solid wall/ceiling. If mounted onto other types of wall/ceiling, you will need appropriate fixings (not supplied). Please make sure the wall/ceiling is safe to mount. We highly recommend to have the panel installed by a qualified electrician or installer authorised by Sundirect.

Please note that GD/MD series and RC350-M are designed only for wall mounting.



Step 1. Use the supplied mounting bracket to mark the position of the holes on the wall.

Step 2. Drill holes using a 8mm drill.

Step 3. Insert the dowels into the holes.

Step 4. Screw the screws into the dowels through the holes on the mounting bracket.

Step 5. Mount the panel on the mounting bracket.

Step 6. Move the panel into two directions to make sure the panel is secured.

Electric power connection

Installation and electric connection should only be carried out by qualified personnel such as an electrician. If hard wiring the panel by using a Sundirect thermostat or equivalent the plug may be removed without loss of warranty. National electric safety standards must be considered when wiring to this panel. This is a IEC protection Class 1 appliance and it must be earthed.

Make sure the mains power is switched off before you start the installation when hardwiring. Any fixed wiring outside the heater coming into contact with the heater must have a protection sleeving that is heat resistant of at least 90°C. Make sure that cables are not coiling and that there is no excess cable behind the heater. The length of the cable should be measured exactly to the length needed. Do not connect a heater that is damaged in any way to the power network. Before installation make sure that the heater, cable and plug are completely free from damages. When in doubt contact your local Sundirect dealer for assistance.

Warranty



Register your Sundirect heater here: www.sundirect-heater.com/warranty-registration.

Within 5 years from date of purchase Sundirect will repair or replace your heater where the fault is due to defects in workmanship or materials. Please contact your local Sundirect dealer in the event of a warranty claim and return the heater together with proof of purchase.

The warranty covers the repair or replacement of the heater only and Sundirect shall not be liable for any other occurring costs such as installation cost or any other consequential losses however incurred. Please note that tampering with or opening the heater in any way will void your warranty. The removal of the serial number on the back of the heater will also void this warranty. All labels on the back of the heater shall not be removed.

Any damages to the heater caused by the user are not covered by this warranty. This includes scratches on the surface or the frame. Sundirect is not responsible for any damages, losses or injuries due to ingress of water or moisture, accidental damage, mishandling, external impact, repairs or adjustment by unauthorised persons or failure to follow the correct safety, maintenance and installation precautions stated in this manual.

Your Sundirect infrared heater's serial number is:

Keep this manual together with the serial number in a safe place in case of future warranty claims!